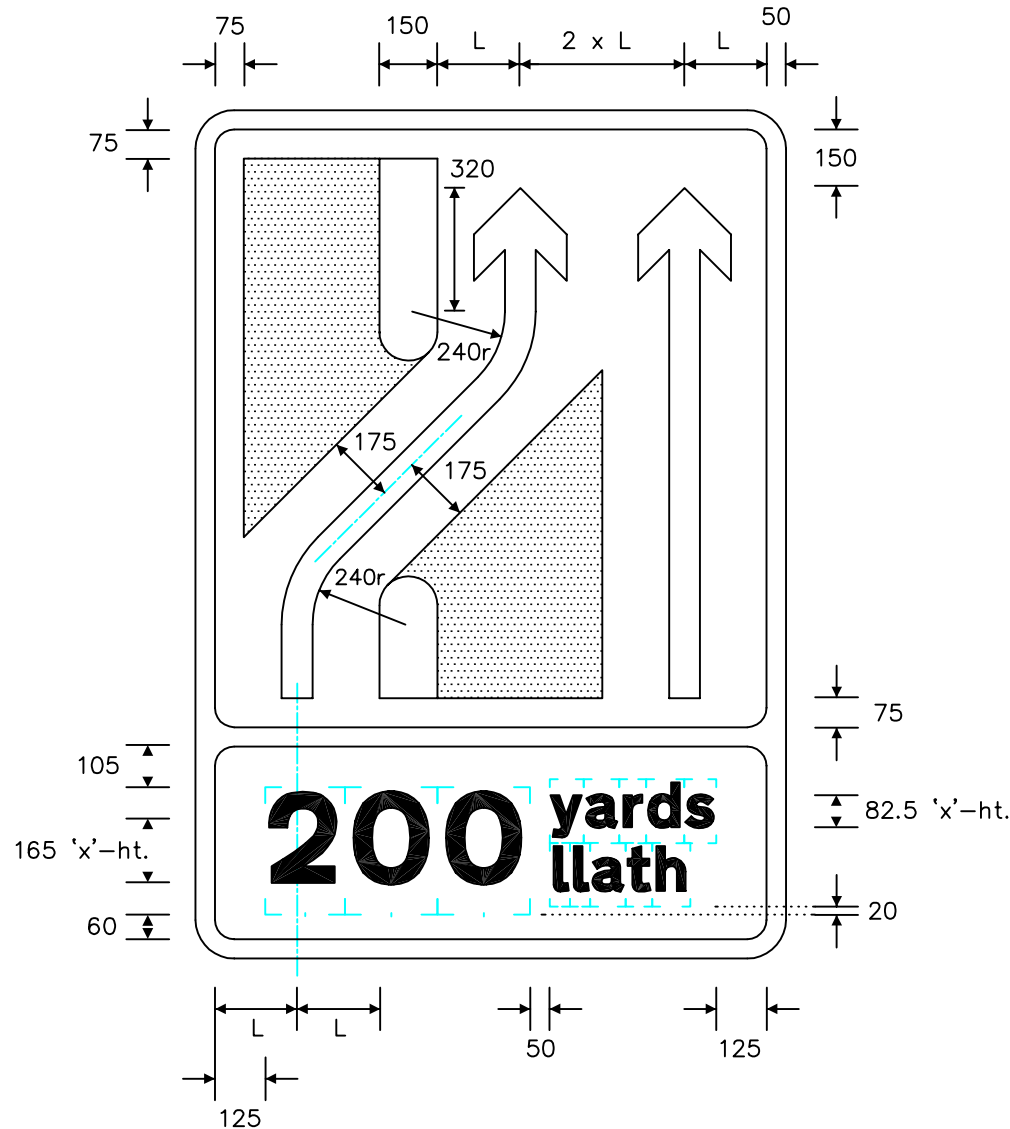


Notes: -

1. The legend is from the Transport Heavy alphabet at the 'x'-heights shown.
2. The outlines of the tiles do not form part of the sign.
3. The colours are as follows: -
 Border, panel dividers, legend, arrows & central reserve symbol — Black
 Blocks (shaded) — Red
 Background — Yellow
4. The illumination of the sign must accord with the requirements of the current 'Traffic Signs Regulations and General Directions'.
5. The order of languages may be reversed if required.
6. All dimensions are given in millimetres.
7. Design rules relating to the layout of blocks and arrows are given in chapter 7 of the Traffic Signs Manual.



REVISIONS		
1.	Legend & notes amended	6.5.03
2.	Notes amended	20.12.06
Before using this drawing, confirm with RNM3 Division that it has not been superseded.		
Drn.	A.T.I.	Appd.
Chkd.		Appl. date 9.12.96
Issue:	20.12.06	
Scale:	Photo-reduced	
Title	Temporary Sign	
LANE CHANGES ACROSS CENTRAL RESERVE		
WELSH ASSEMBLY GOVERNMENT		
Drwg. no.	WAG/P 7214	