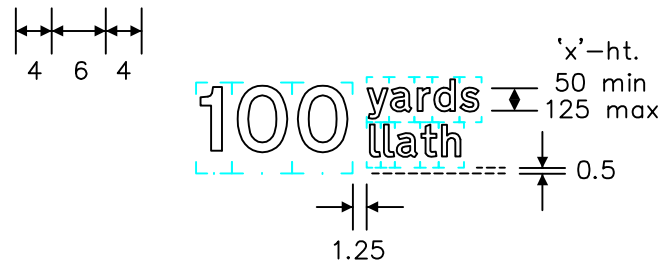
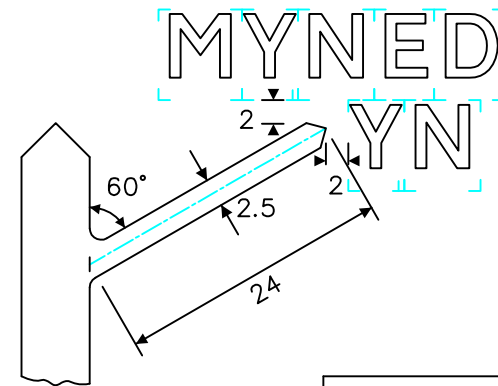
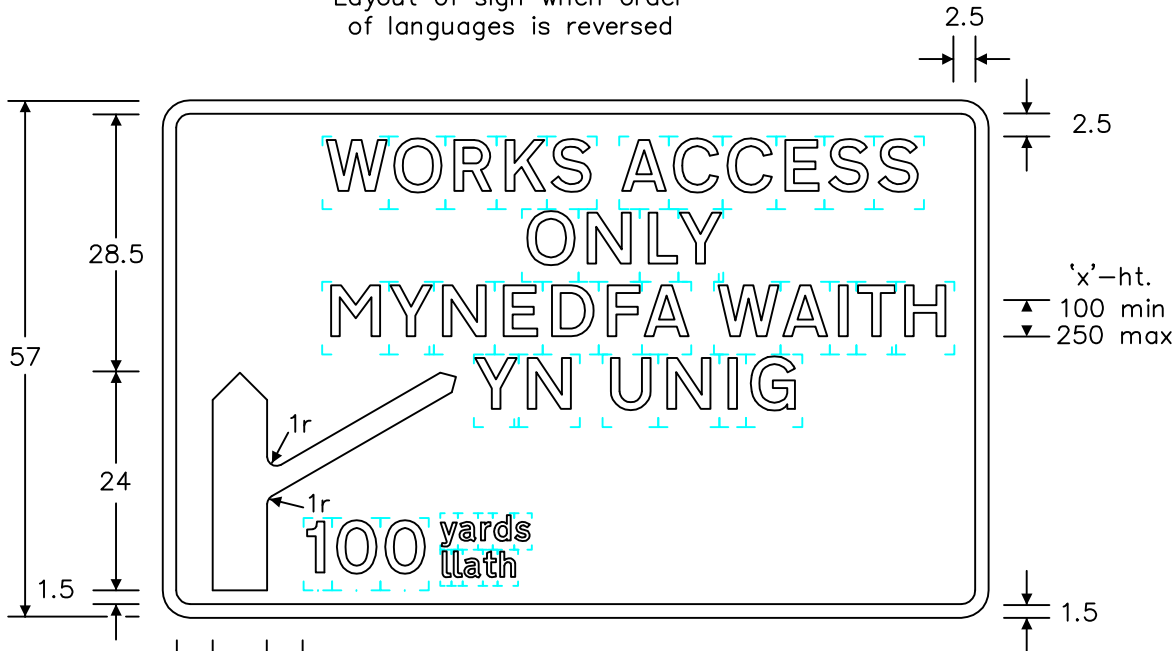


Layout of sign when order of languages is reversed

Notes:-

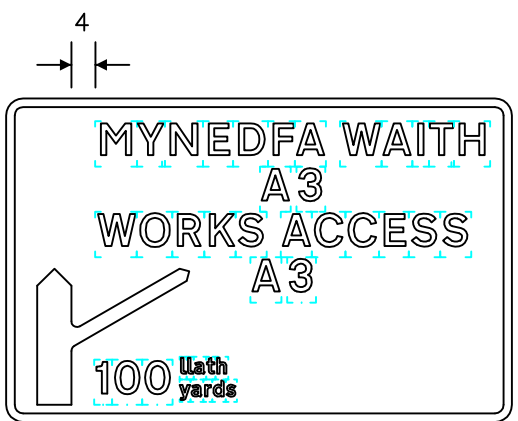
1. The legend is from the Transport Medium alphabet at the 'x'-heights shown.
2. The outlines of the tiles do not form part of the sign.
3. The colours are as follows:-  
 Border, legend & route symbol \_\_\_\_\_ White  
 Background \_\_\_\_\_ Red
4. The illumination of the sign must accord with the requirements of the current 'Traffic Signs Regulations and General Directions'.
5. The order of languages may be reversed if required.
6. The 'x'-heights shown are given in millimetres, all other dimensions are given in stroke widths based on the larger tiles (i.e. 1s/w = 1/4 'x'-height).
7. See sheet 2 for further variants



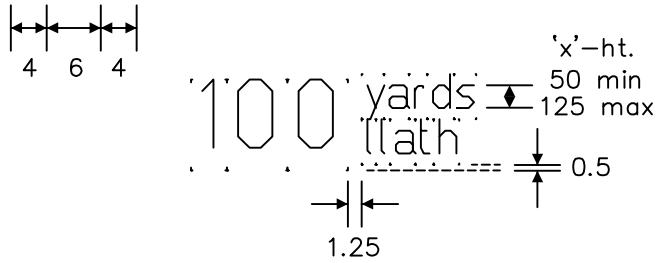
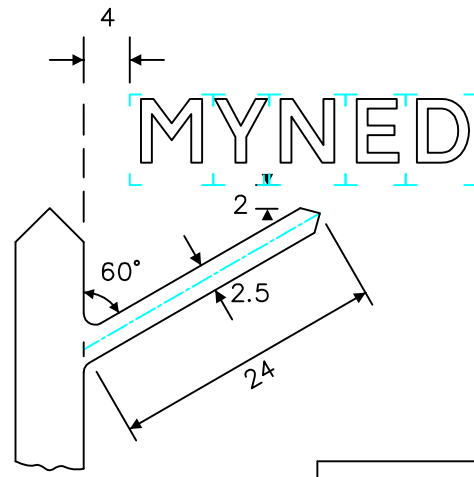
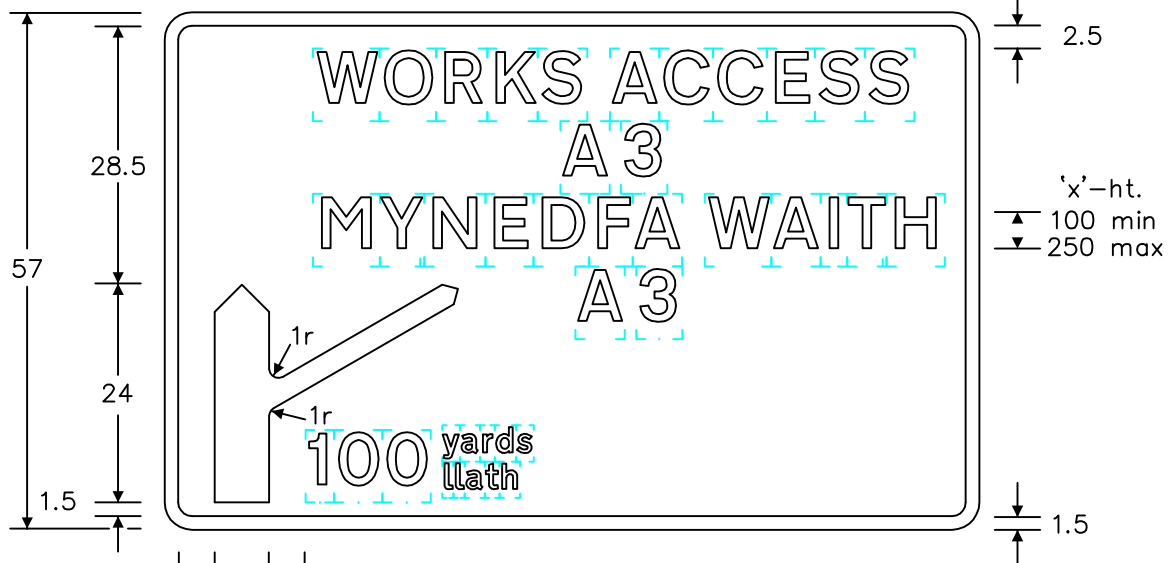
Route symbol widths are as shown and are not related to the status of the route indicated (as they are on permanent map-type advance direction signs).

REVISIONS	
1. Dims. amended, no. chgd. from WBM 956.6 19.2.97	
2. Legend amended 14.8.03	
3. Legend & notes amended 28.12.06	
4. Sheet 2 added 6.2.12	
Before using this drawing, confirm with RNM3 Division that it has not been superseded.	
Drn. A.T.I.	Appd.
Chkd.	Appl. date 2.12.91
Issue: 30.3.12	
Scale: Photo-reduced	
Title Temporary Sign	
ROUTE FOR WORKS TRAFFIC	
WELSH GOVERNMENT	
Drwg. no.	WAG/P 7306
Sheet 1 of 2	

- Notes:-
1. The legend is from the Transport Medium alphabet at the 'x'-heights shown.
  2. The outlines of the tiles do not form part of the sign.
  3. The colours are as follows:-  
 Border, legend & route symbol \_\_\_\_\_ White  
 Background \_\_\_\_\_ Red
  4. The illumination of the sign must accord with the requirements of the current 'Traffic Signs Regulations and General Directions'.
  5. The order of languages may be reversed if required.
  6. The 'x'-heights shown are given in millimetres, all other dimensions are given in stroke widths based on the larger tiles (i.e. 1s/w = 1/4'x'-height).
  7. See sheet 1 for further variants



Layout of sign when order of languages is reversed



Route symbol widths are as shown and are not related to the status of the route indicated (as they are on permanent map-type advance direction signs).

REVISIONS	
Before using this drawing, confirm with RNM3 Division that it has not been superseded.	
Drn. G.A.T.	Appd.
Chkd.	Appl. date 6.2.12
Issue: 30.3.12	
Scale: Photo-reduced	
Title Temporary Sign	
ROUTE FOR WORKS TRAFFIC	
WELSH GOVERNMENT	
Drwg. no.	WAG/P 7306
Sheet 2 of 2	