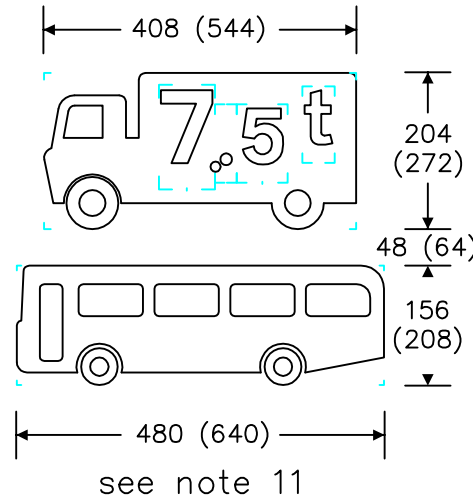
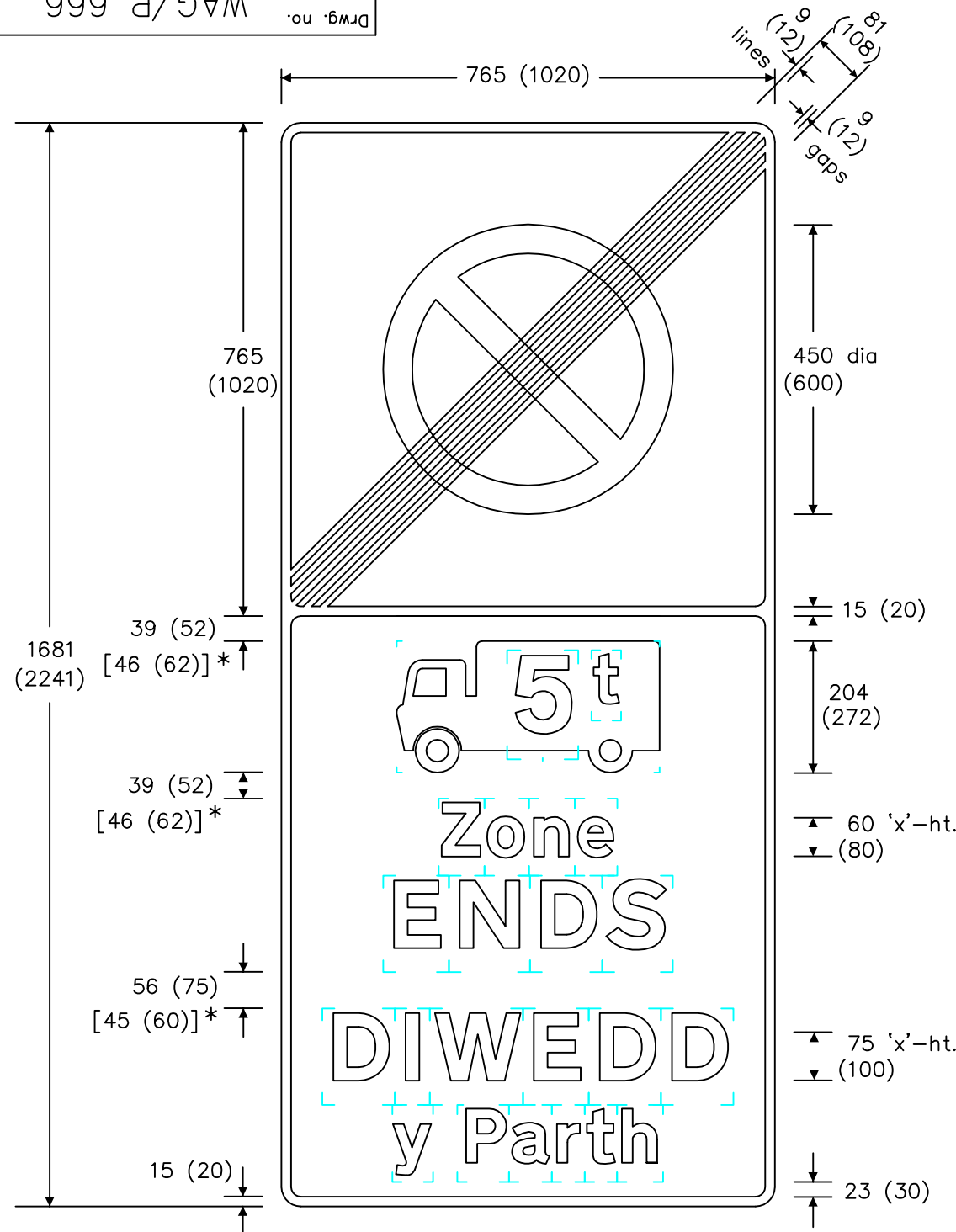


Notes: -

1. The legend is from the Transport Heavy alphabet at the 'x'-heights shown.
2. The outlines of the tiles do not form part of the sign.
3. The roundel is proportional to the one on P 636.
4. The colours are as follows: -  
 Background \_\_\_\_\_ White  
 Roundel & bar \_\_\_\_\_ Grey  
 Legend, border & diagonal strips \_\_\_\_\_ Black
5. The illumination of the sign must accord with the requirements of the current 'Traffic Signs Regulations and General Directions'.
6. The order of languages may be reversed if required. When the languages are reversed the dimensions indicated by an asterisk are used.
7. The sign is designed in accordance with the current design rules.
8. All dimensions are given in millimetres.
9. 5t may be varied to 7.5t. The bus symbol may be added or substituted for the lorry symbol.
10. Details of the lorry and bus symbols are on drwgs S 32 & 4 and S 25.



| REVISIONS   |   |
|---|---|
| 1.  | Dimensions amended, variant added 14.6.96   |
| 2.  | Redrawn & notes amended 1.9.99  |
| 3.  | Legend amended 20.8.03  |
| 4.  | Notes amended 15.2.07   |
| 5.  | Lorry symbol amended as per S32 3.2.12  |
| <small>Before using this drawing, confirm with RNM3 Division that it has not been superseded.</small> |   |
| Drn.  | A.T.I.  |
| Appd.   |   |
| Chkd.   | Appl. date 31.1.83  |
| Issue: 30.3.12  |   |
| Scale: Photo-reduced  |   |
| Title   | Regulatory Sign<br>END OF<br>CONTROLLED PARKING<br>ZONE<br>(applying to goods vehicles) |
| WELSH GOVERNMENT  |   |
| Drwg. no.   | WAG/P 666   |