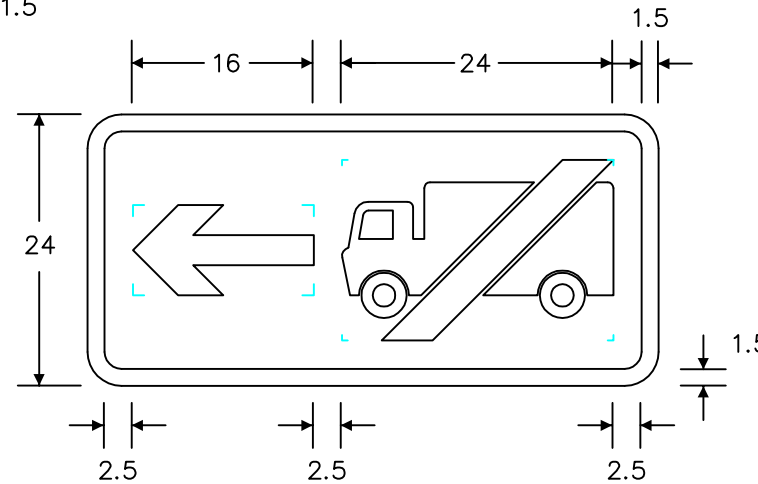
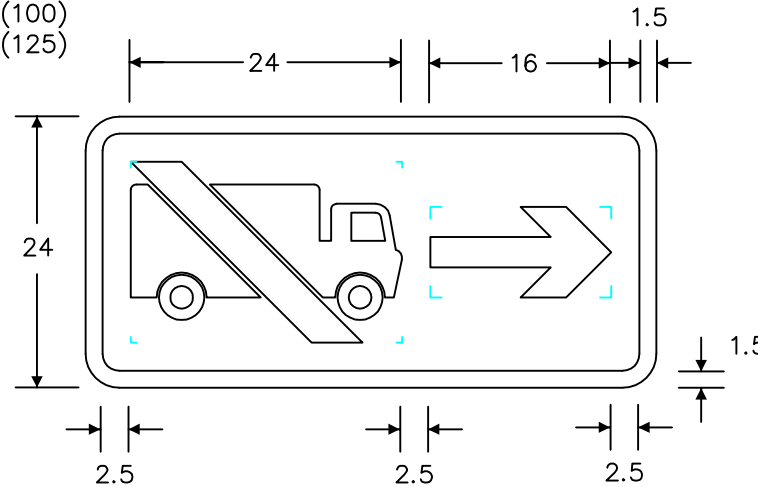
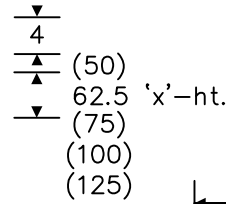


Notes: -

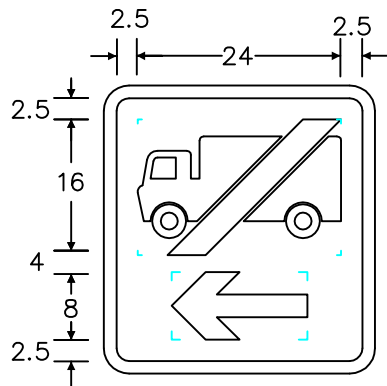
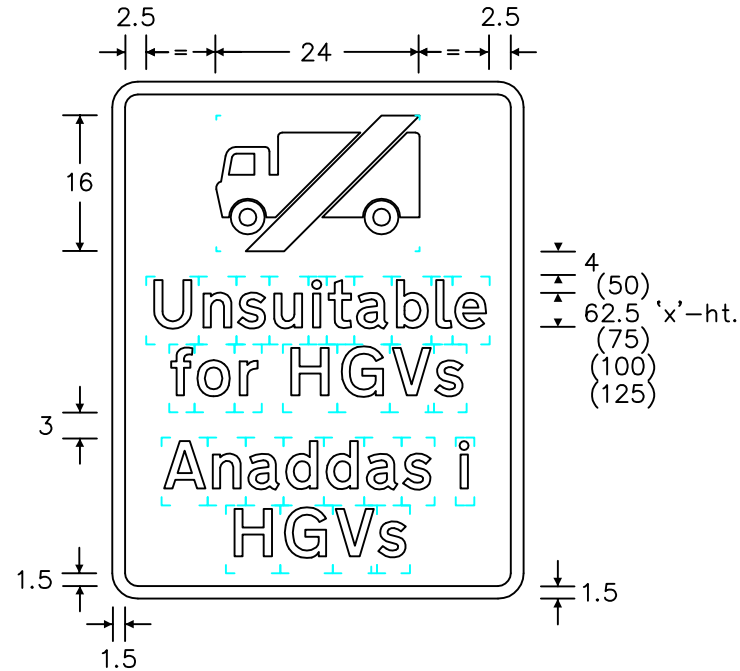
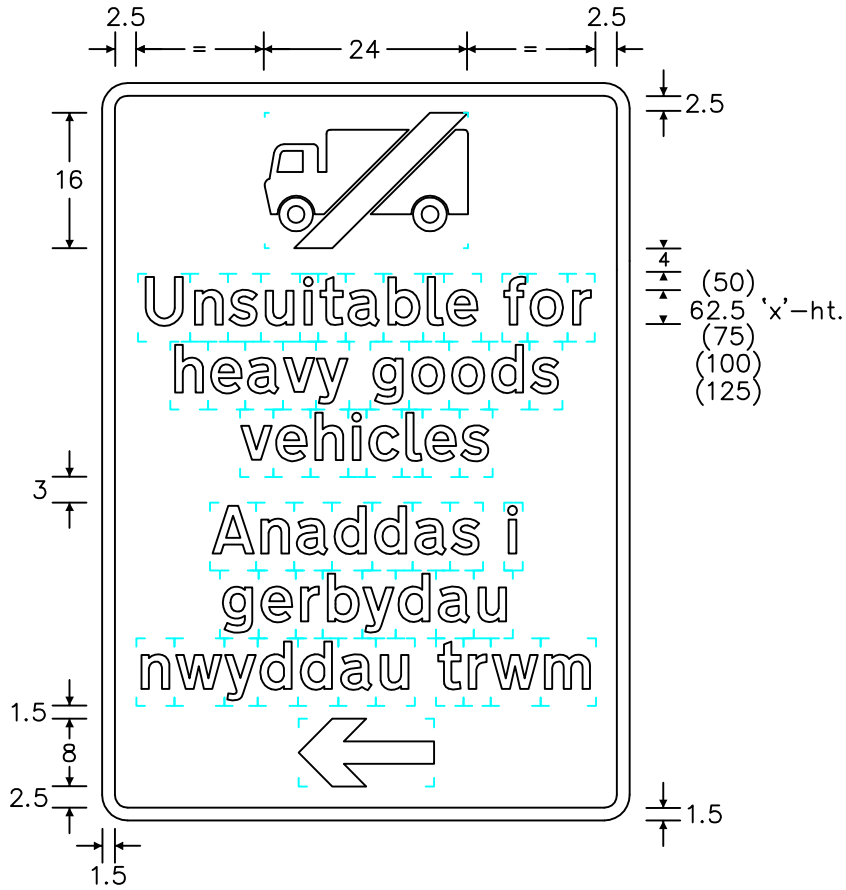
1. The legend is from the Transport Medium alphabet at the 'x'-heights shown
2. The outlines of the tiles do not form part of the sign.
3. The lorry symbol is proportional to the one on drwg. no. S 32.
4. The colours are as follows: -
 Legend and border — White
 Background — Blue
 Lorry symbol — White
 Diagonal bat — Red
5. The illumination of the sign must accord with the requirements of the current 'Traffic Signs Regulations and General Directions'.
6. The sign is designed in accordance with the current design rules.
7. The order of languages may be reversed if required.
8. See sheet 2 for further variants



REVISIONS	
1.	Note 4 amended, note 8 added 7.2.12
Before using this drawing, confirm with RNM3 Division that it has not been superseded.	
Drn. G.A.T.	Appd.
Chkd.	Appl. date 23.02.11
Issue: 30.3.12	
Scale: Photo-reduced	
Title	Informatory Sign
UNSUITABLE FOR HEAVY GOODS VEHICLES	
WELSH GOVERNMENT	
Drwg. no.	WAG/P 820A
Sheet 1 of 2	

Notes: -

1. The legend is from the Transport Medium alphabet at the 'x'-heights shown
2. The outlines of the tiles do not form part of the sign.
3. The lorry symbol is proportional to the one on drwg. no. S 32.
4. The colours are as follows: -
 Legend and border — White
 Background — Blue
 Lorry symbol — White
 Diagonal bat — Red
5. The illumination of the sign must accord with the requirements of the current 'Traffic Signs Regulations and General Directions'.
6. The sign is designed in accordance with the current design rules.
7. The order of languages may be reversed if required.
8. See sheet 1 for further variants



REVISIONS	
Before using this drawing, confirm with RNM3 Division that it has not been superseded.	
Drn. G.A.T.	Appd.
Chkd.	Appl. date 23.02.11
Issue: 30.3.12	
Scale: Photo-reduced	
Title	Informatory Sign
UNSUITABLE FOR HEAVY GOODS VEHICLES	
WELSH GOVERNMENT	
Drwg. no.	WAG/P 820A
Sheet 2 of 2	