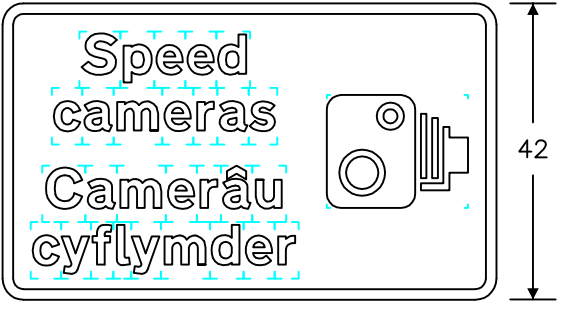
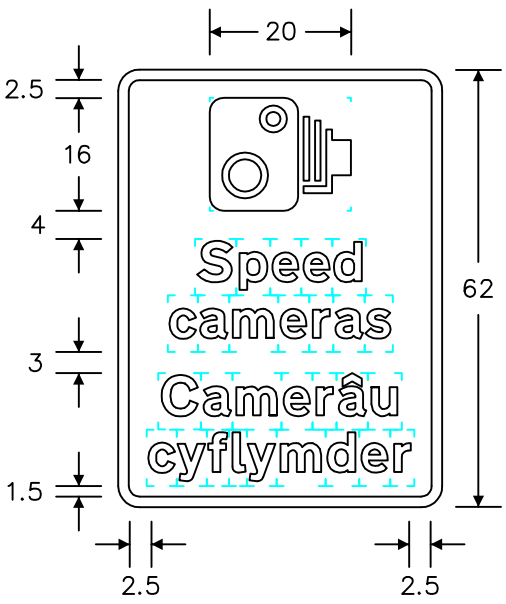


Notes: -

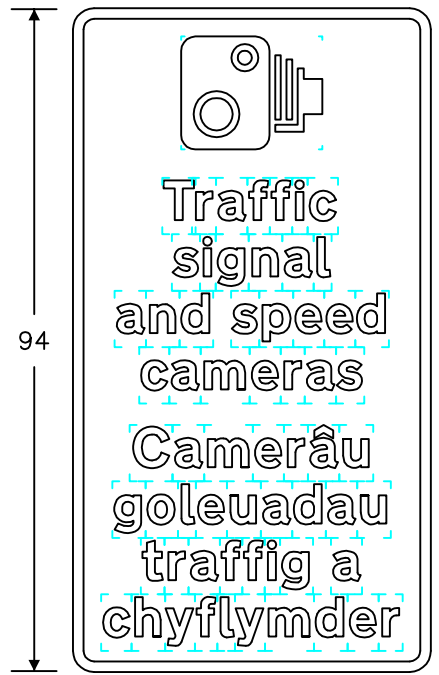
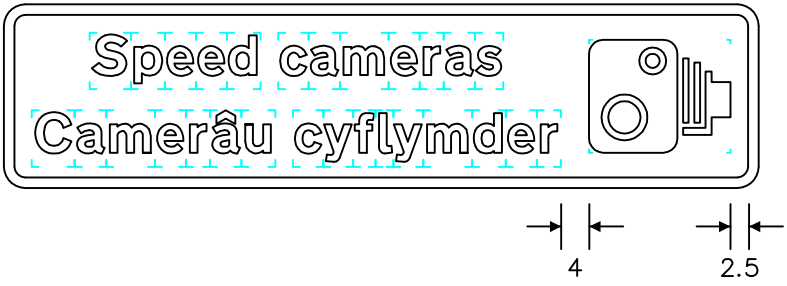
1. The legend is from the Transport Heavy alphabet at the 'x'-heights shown.
2. Details of the camera symbol are given on drawing S 58.
3. The outlines of the tiles do not form part of the sign.
4. The colours are as follows: -
 Legend, symbol & border ——— Black
 Background ——— White
5. The illumination of the sign must accord with the requirements of the current 'Traffic Signs Regulations and General Directions'.
6. The 'x'-heights are given in millimetres, all other dimensions are given in stroke widths (i.e. $1s/w = 1/4 \text{'x'}$ -height).
7. The order of languages may be reversed if required.
8. See sheets 2 to 5 for variants.

REVISIONS	
1.	Dims. amended, no. chgd. from NP 400 16.7.97
2.	Redrawn & notes amended 18.11.99
3.	Legend amended 19.2.03
4.	Variants added to separate sheets 12.10.05
5.	Variants added to new sheet 5 8.2.12
Before using this drawing, confirm with RNM3 Division that it has not been superseded.	
Drn.	A.T.I.
Appd.	
Chkd.	Appl. date 7.10.93
Issue: 30.3.12	
Scale: Photo-reduced	
Title	Informatory Signs
TRAFFIC SIGNAL CAMERAS and Variants	
WELSH GOVERNMENT	
Drwg. no.	WAG/P 878
Sheet 1 of 5	

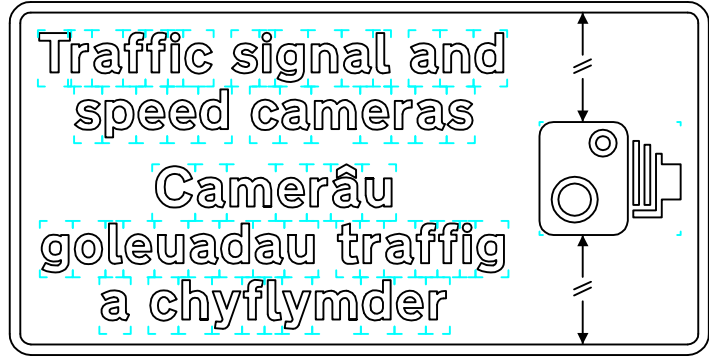


Notes: -

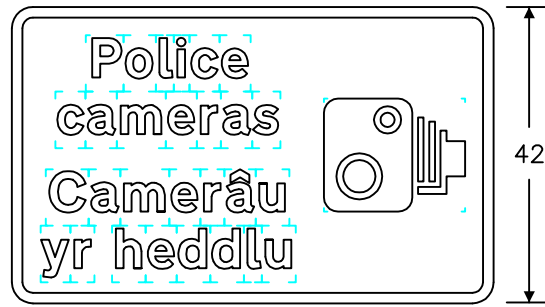
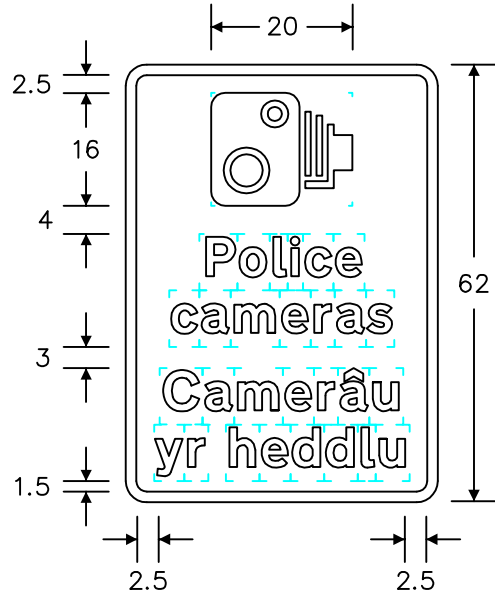
1. The legend is from the Transport Heavy alphabet at the 'x'-heights shown.
2. Details of the camera symbol are given on drawing S 58.
3. The outlines of the tiles do not form part of the sign.
4. The colours are as follows: -
Legend, symbol _____ Black
& border _____ White
Background _____ White
5. The illumination of the sign must accord with the requirements of the current 'Traffic Signs Regulations and General Directions'.
6. The 'x'-heights are given in millimetres, all other dimensions are given in stroke widths (i.e. $1s/w = 1/4$ 'x'-height).
7. The order of languages may be reversed if required.
8. See sheet 1 for other dimensions and sheets 3 to 5 for other variants.



'x'-ht.
50 min
250 max

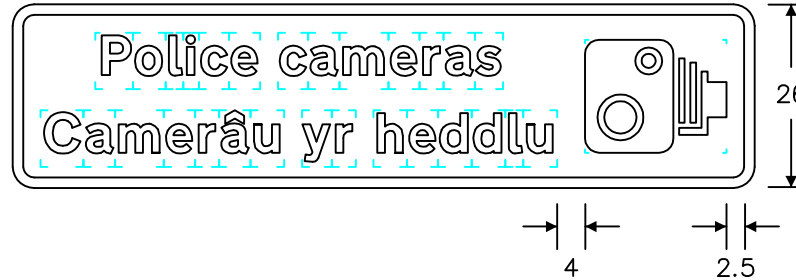


REVISIONS	
1.	Dims. amended, no. chgd. from NP 400 16.7.97
2.	Redrawn & notes amended 18.11.99
3.	Legend amended 19.2.03
4.	Variants added to separate sheets 12.10.05
5.	Variants added to new sheet 5 8.2.12
Before using this drawing, confirm with RNM3 Division that it has not been superseded.	
Drn.	A. T. I.
Appd.	
Chkd.	Appl. date 7.10.93
Issue: 30.3.12	
Scale: Photo-reduced	
Title	Informatory Signs
TRAFFIC SIGNAL CAMERAS and Variants	
WELSH GOVERNMENT	
Drwg. no.	WAG/P 878
Sheet 2 of 5	

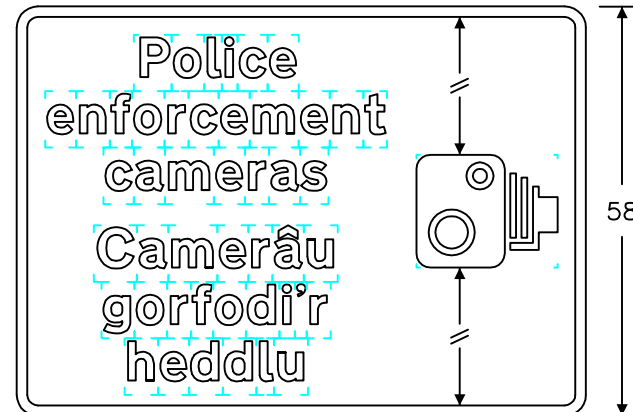


- Notes: -
1. The legend is from the Transport Heavy alphabet at the 'x'-heights shown.
 2. Details of the camera symbol are given on drawing S 58.
 3. The outlines of the tiles do not form part of the sign.
 4. The colours are as follows: -
 Legend, symbol _____ Black
 & border _____ White
 Background _____ White
 5. The illumination of the sign must accord with the requirements of the current 'Traffic Signs Regulations and General Directions'.
 6. The 'x'-heights are given in millimetres, all other dimensions are given in stroke widths (i.e. $1s/w = 1/4 'x'$ -height).
 7. The order of languages may be reversed if required.
 8. See sheet 1 for other dimensions and sheets 2, 4 and 5 for other variants.

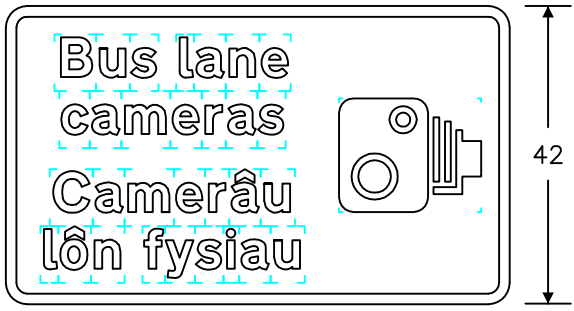
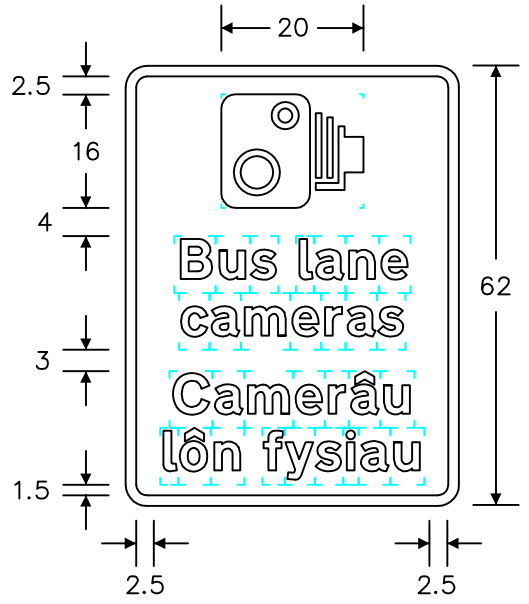
'x'-ht.
50 min
250 max



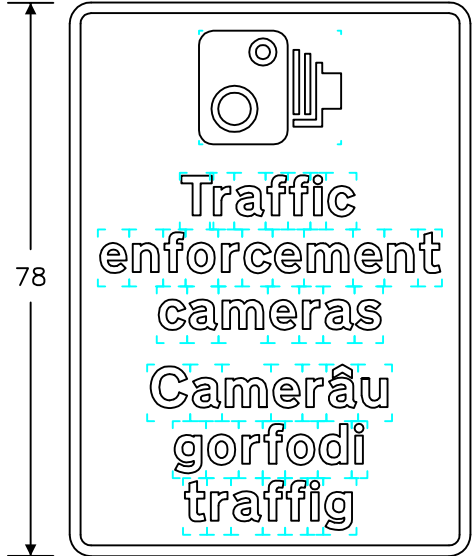
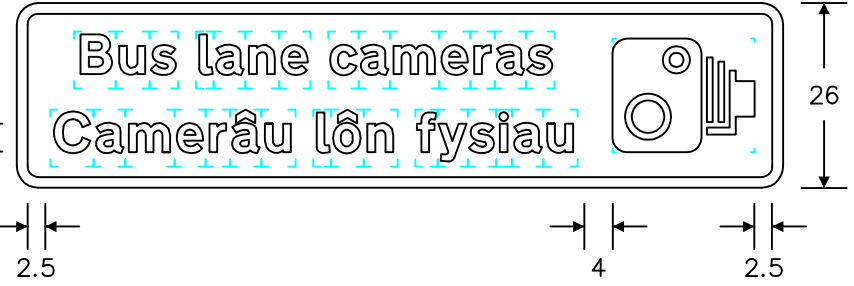
'x'-ht.
50 min
250 max



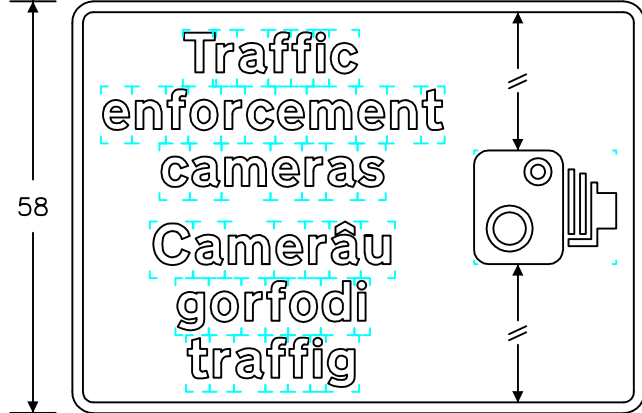
REVISIONS	
1.	Dims. amended, no. chgd. from NP 400 16.7.97
2.	Redrawn & notes amended 18.11.99
3.	Legend amended 19.2.03
4.	Variants added to separate sheets 12.10.05
5.	Variants added to new sheet 5 8.2.12
Before using this drawing, confirm with RNM3 Division that it has not been superseded.	
Drn.	A. T. I.
Appd.	
Chkd.	Appl. date 7.10.93
Issue: 30.3.12	
Scale: Photo-reduced	
Title	Informatory Signs
TRAFFIC SIGNAL CAMERAS and Variants	
WELSH GOVERNMENT	
Drwg. no.	WAG/P 878
Sheet 3 of 5	



'x'-ht.
50 min
250 max



'x'-ht.
50 min
250 max



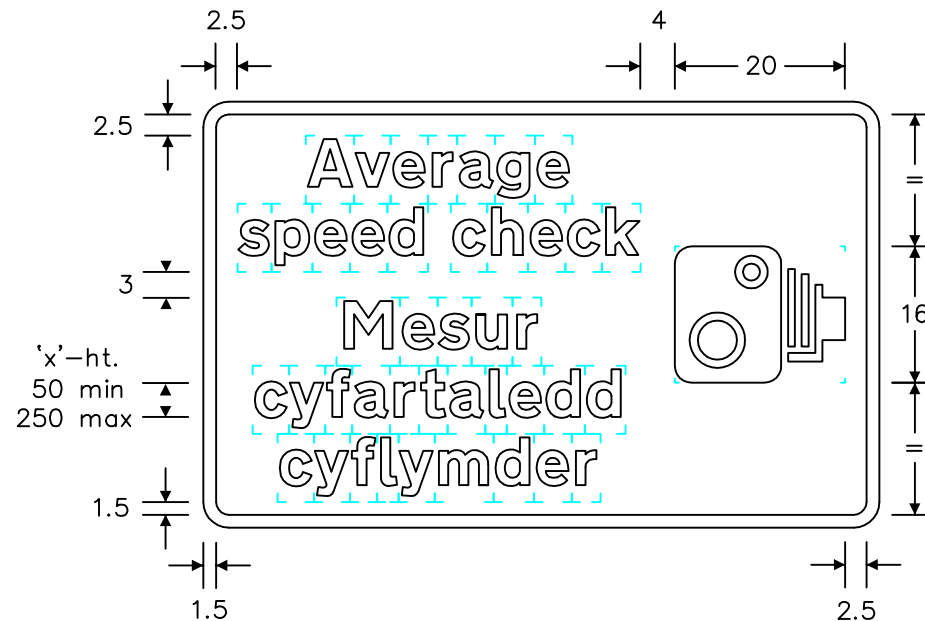
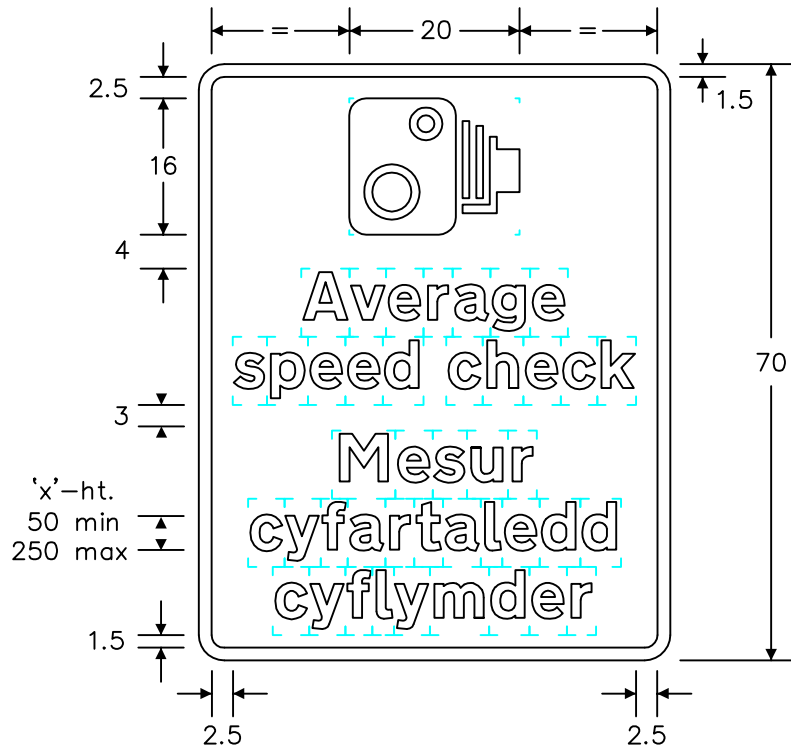
Notes: -

1. The legend is from the Transport Heavy alphabet at the 'x'-heights shown.
2. Details of the camera symbol are given on drawing S 58.
3. The outlines of the tiles do not form part of the sign.
4. The colours are as follows: -
 Legend, symbol _____ Black
 & border _____ White
 Background _____ White
5. The illumination of the sign must accord with the requirements of the current 'Traffic Signs Regulations and General Directions'.
6. The 'x'-heights are given in millimetres, all other dimensions are given in stroke widths (i.e. 1s/w = 1/4'x'-height).
7. The order of languages may be reversed if required.
8. See sheet 1 for other dimensions and sheets 2, 3 and 5 for other variants.

REVISIONS	
1.	Dims. amended, no. chgd. from NP 400 16.7.97
2.	Redrawn & notes amended 18.11.99
3.	Legend amended 19.2.03
4.	Variants added to separate sheets 12.10.05
5.	'Enforcement' variant legend amended 28.8.08
6.	Variants added to new sheet 5 8.2.12
<small>Before using this drawing, confirm with RNM3 Division that it has not been superseded.</small>	
Drn.	A.T.I.
Appd.	
Chkd.	Appl. date 7.10.93
Issue: 30.3.12	
Scale: Photo-reduced	
Title	Informatory Signs
TRAFFIC SIGNAL CAMERAS and Variants	
WELSH GOVERNMENT	
Drwg. no.	WAG/P 878
Sheet 4 of 5	

Notes: -

1. The legend is from the Transport Heavy alphabet at the 'x'-heights shown.
2. Details of the camera symbol are given on drawing S 58.
3. The outlines of the tiles do not form part of the sign.
4. The colours are as follows: -
 Legend, symbol _____ Black
 & border _____
 Background _____ White
5. The illumination of the sign must accord with the requirements of the current 'Traffic Signs Regulations and General Directions'.
6. The 'x'-heights are given in millimetres, all other dimensions are given in stroke widths (i.e. 1s/w = 1/4 'x'-height).
7. The order of languages may be reversed if required.
8. See sheet 1 for other dimensions and sheets 2 to 4 for other variants.



REVISIONS	
1. Dims. amended, no. chgd. from NP 400	16.7.97
2. Redrawn & notes amended	18.11.99
3. Legend amended	19.2.03
4. Variants added to separate sheets	12.10.05
5. 'Enforcement' variant legend amended	28.8.08
6. Variants added to new sheet 5	8.2.12
Before using this drawing, confirm with RNM3 Division that it has not been superseded.	
Drn. G.A.T.	Appd.
Chkd.	Appl. date 7.10.93
Issue: 30.3.12	
Scale: Photo-reduced	
Title Informatory Signs	
TRAFFIC SIGNAL CAMERAS and Variants	
WELSH GOVERNMENT	
Drwg. no.	WAG/P 878
Sheet 5 of 5	