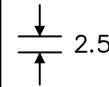
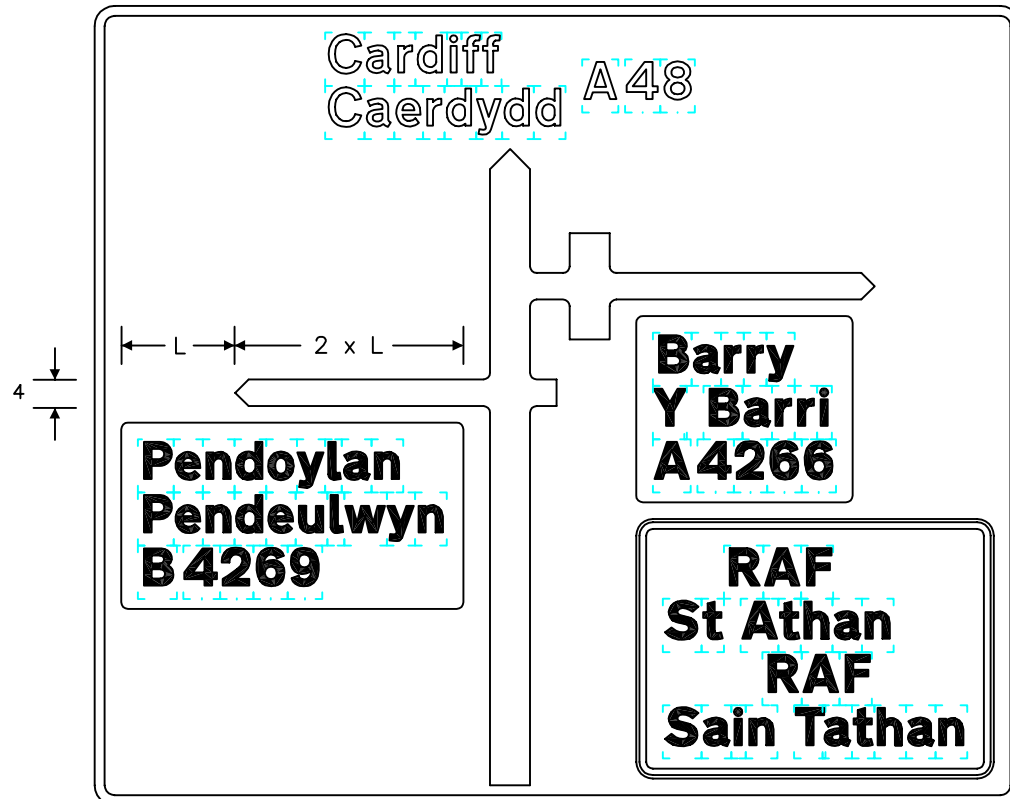
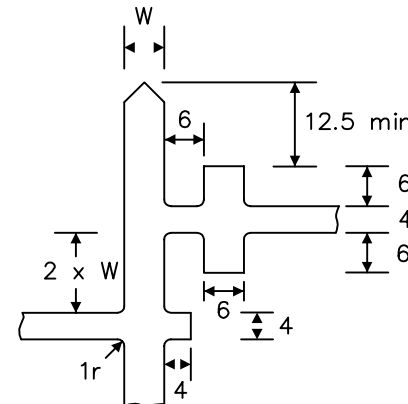
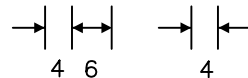


*1.5sw space required when a tiled legend with descender is less than 2.5sw horizontally from the nearest vertical face of the route arm



75 min 'x'-ht.
300 max



Notes: -

- The legends are from the Transport Heavy and Transport Medium alphabets at the 'x'-heights shown.
- The outlines of the tiles do not form part of the sign.
- The colours are as follows: -
 - Main Sign: -
 - Background _____ Green
 - Border & route symbol _____ White
 - Legend _____ White (Transport Medium)
 - Route number _____ Yellow (Transport Medium)
 - Non-primary route panels: -
 - Legend _____ Black (Transport Heavy)
 - Background _____ White
 - MoD panel: -
 - Legend _____ Black (Transport Heavy)
 - Background & outer edge of panel _____ White
 - Border _____ Red
- The illumination of the sign must accord with the requirements of the current 'Traffic Signs Regulations and General Directions'.
- The 'x'-heights shown are given in millimetres, all other dimensions are given in stroke widths (i.e. 1s/w = 1/4'x'-height).
- The sign is designed in accordance with the current design rules.
- The order of languages may be reversed if required.

REVISIONS

1.	Redesigned, no. chgd. from WO/WM709 26.2.97
2.	Redrawn & notes amended 14.8.00
3.	RAF panel added 25.2.04
4.	Notes amended 12.4.07

Before using this drawing, confirm with RNM3 Division that it has not been superseded.

Drn.	A.T.I.	Appd.	
Chkd.		Appl. date	28.11.83

Issue: 12.4.07

Scale: Photo-reduced

Title
Primary Route Directional Sign
(Map-type)

STAGGERED JUNCTION AHEAD
AT WHICH A DUAL CARRIAGEWAY
PRIMARY ROUTE IS CROSSED BY
A NON-PRIMARY ROUTE

WELSH ASSEMBLY GOVERNMENT

Drwg. no. WAG/P 2008