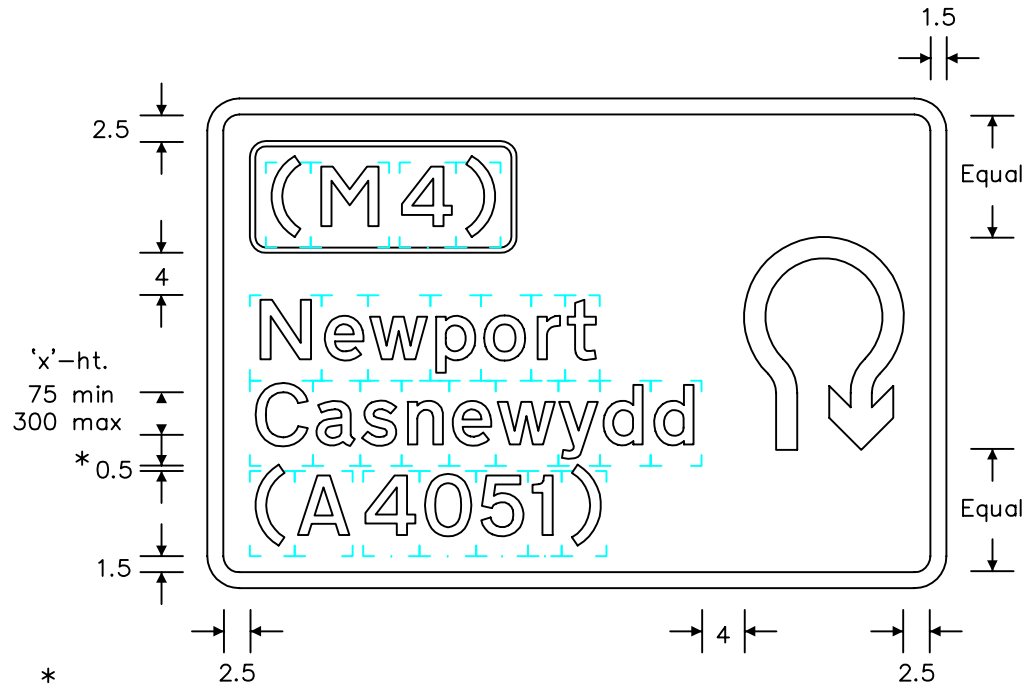
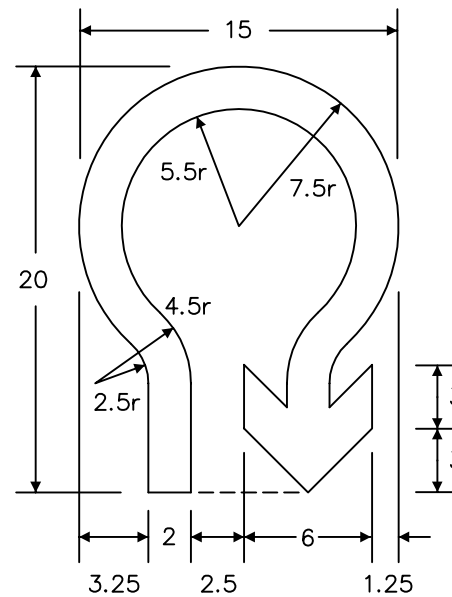


Notes:-

1. The legends are from the Transport Medium alphabet at the 'x'-heights shown.
2. The outlines of the tiles do not form part of the sign.
3. The colours are as follows:-
 Background _____ Green
 Legend, symbol and border _____ White
 Route number _____ Yellow
 Motorway patch:-
 Background _____ Blue
 Legend & border _____ White
4. The illumination of the sign must accord with the requirements of the current 'Traffic Signs Regulations and General Directions'.
5. The 'x'-heights shown are given in millimetres, all other dimensions are given in stroke widths (i.e. 1s/w = 1/4'x'-height).
6. The sign is designed in accordance with the current design rules.
7. The order of languages may be reversed if required.



* Bracketed route no. below destination



REVISIONS	
1. Notes amended	11.5.07
Before using this drawing, confirm with RNM3 Division that it has not been superseded.	
Drn. A.T.I.	Appd.
Chkd.	Appl. date 6.5.04
Issue: 11.5.07	
Scale: Photo-reduced	
Title	
Primary Route Directional Sign	
DIRECTION ALONG A PRIMARY ROUTE TO DESTINATIONS SHOWN VIA A U-TURN AT A ROUNDABOUT AHEAD	
WELSH ASSEMBLY GOVERNMENT	
Drwg. no.	WAG/P 2035