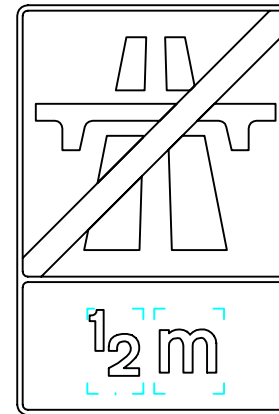
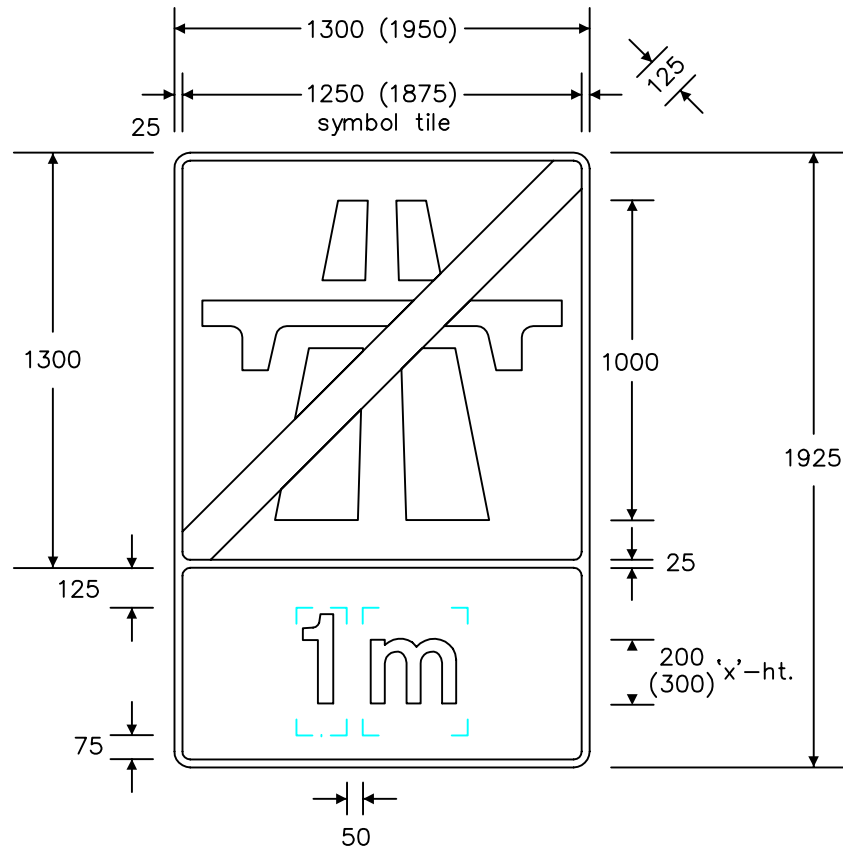


Notes:-

1. The legend is from the Transport Medium alphabet at the 'x'-heights shown.
2. Details of the symbol are on drawing S 55.
3. The outlines of the tiles do not form part of the sign.
4. The colours are as follows:-
 Legend, symbol & border — White
 Background — Blue
 Cancellation bar — Red
5. All dimensions are given in millimetres. Sizes for the plate using 300mm 'x'-ht. are proportional to those shown for the 200mm 'x'-ht.
6. Variant:- 1m may be changed to 1/2m.



Variant

REVISIONS	
1.	Capital 'M' replaced by lower case 'm' 9.12.76
2.	Dims. amended, no. chgd. from 918.1 24.4.98
3.	Redrawn & notes amended 12.9.00
4.	Variant added & notes amended 18.2.05
Before using this drawing, confirm with RNM3 Division that it has not been superseded.	
Drn. A.T.I.	Appd.
Chkd.	Appl. date 22.5.75
Issue: 18.2.05	
Scale: Photo-reduced	
Title	
Motorway Informatory Sign	
DISTANCE TO END OF MOTORWAY	
WELSH ASSEMBLY GOVERNMENT	
Drwg. no.	WAG/P 2930