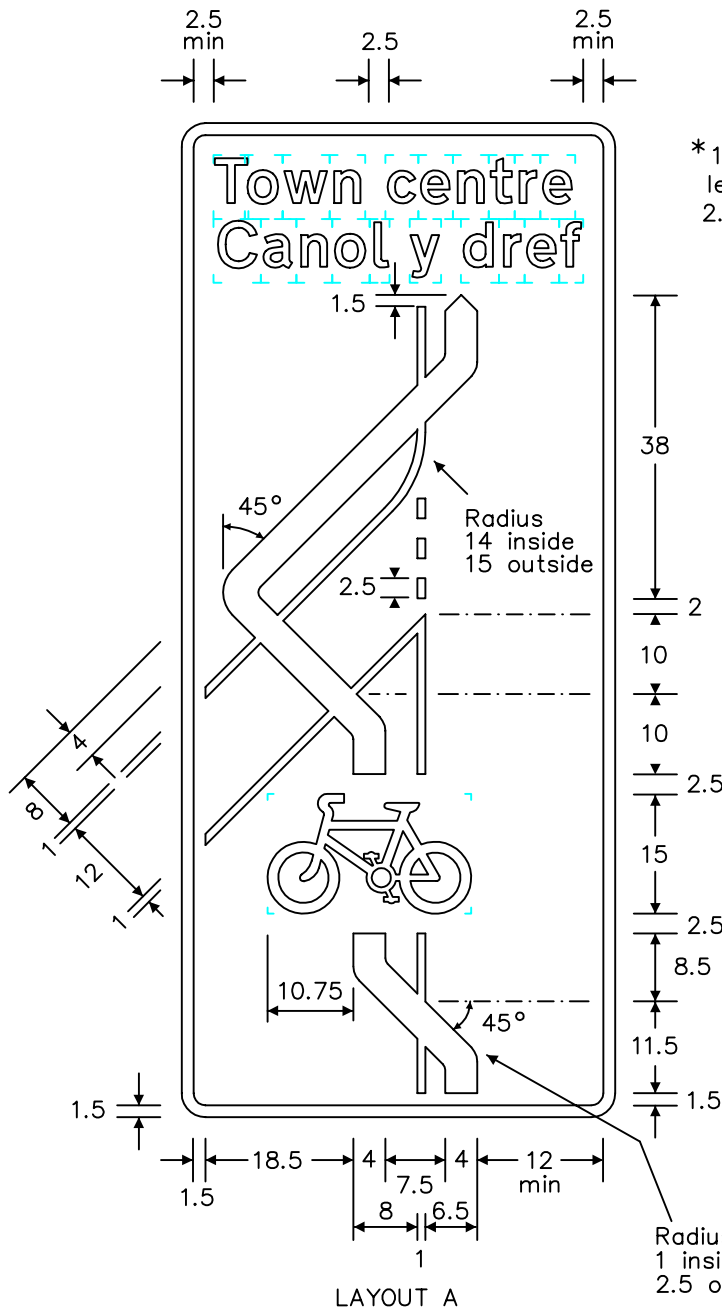


Notes:-

1. The legend is from the Transport Medium alphabet at the 'x'-heights shown.
2. Details of the cycle symbol are on drawing S24.
3. The outlines of the tiles do not form part of the sign.
4. The colours are as follows:-  
Legend, border and symbols \_\_\_\_\_ White  
Background \_\_\_\_\_ Blue
5. The illumination of the sign must accord with the requirements of the current 'Traffic Signs Regulations and General Directions'.
6. The 'x'-heights shown are given in millimetres, all other dimensions are given in stroke widths (i.e.  $1s/w = 1/4 \times \text{'x'-height}$ ).
7. The order of languages may be reversed if required.

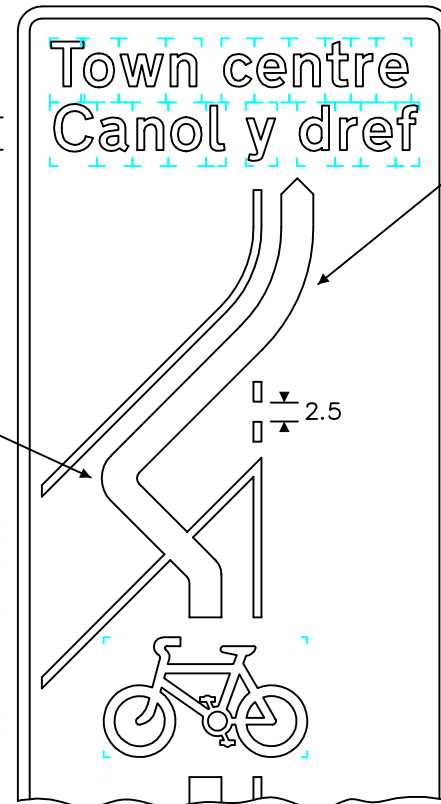
\* 1.5sw space required when a tiled legend with descender is less than 2.5sw horizontally from the nearest vertical face of the route arm



'x'-ht.  
50 min  
100 max

Radius (90° bend)  
1 inside  
4 outside

Radius (45° bend)  
1 inside  
2.5 outside



Other dimensions as layout A

Radius (route arm)  
17.5 inside  
21.5 outside

REVISIONS	
1.	Redesigned, no. changed from WBM 336. 19.8.96
2.	Redrawn & notes amended 24.8.00
3.	Redrawn & notes amended 27.8.04
4.	Notes amended 24.8.07
Before using this drawing, confirm with RNM3 Division that it has not been superseded.	
Drn.	A.T.I.
Appd.	
Chkd.	Appl. date 24.11.88
Issue: 24.8.07	
Scale: Photo-reduced	
Title	
Directional Sign	
ROUTE FOR PEDAL CYCLISTS AT JUNCTION AHEAD	
WELSH ASSEMBLY GOVERNMENT	
Drwg. no.	WAG/P 2601.2