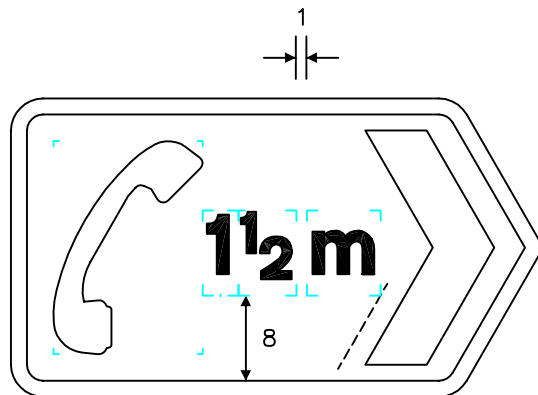
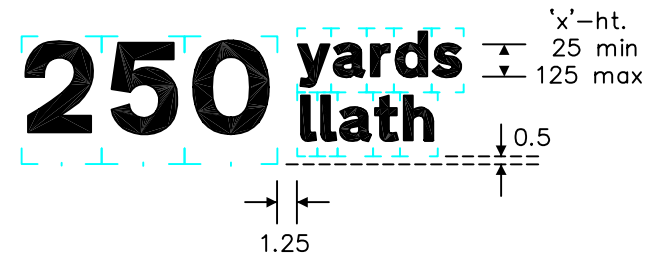
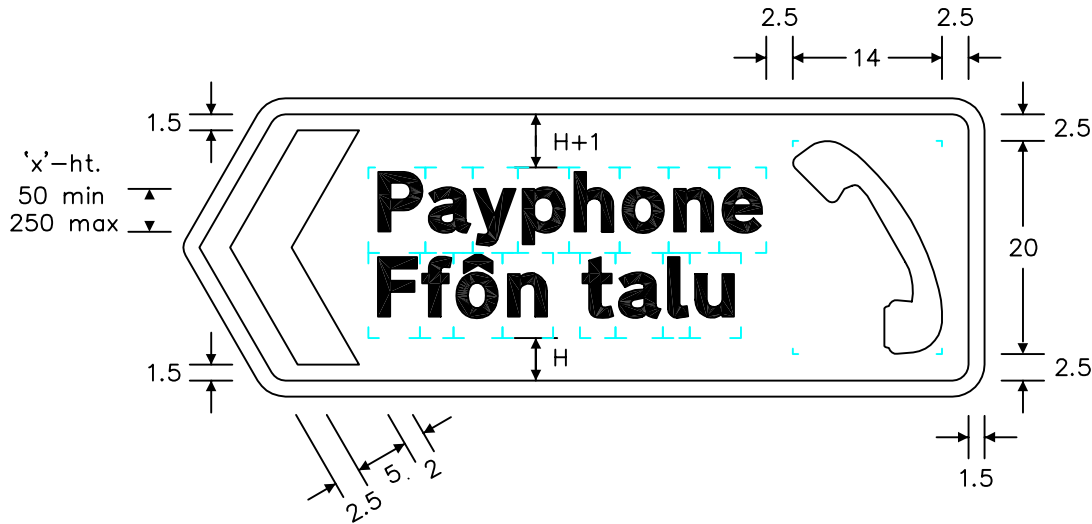
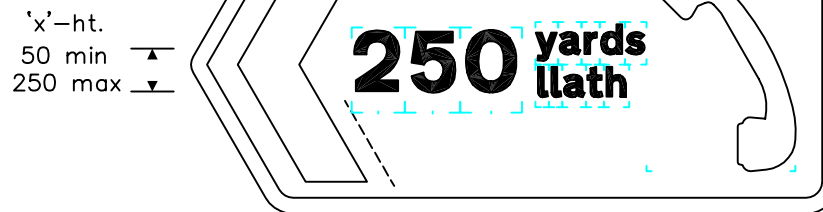


Notes: -

1. The legend is from the Transport Heavy alphabet at the 'x'-heights shown.
2. Details of the Telephone symbol are given on drawing S 41.
3. The outlines of the tiles do not form part of the sign.
4. The colours are as follows: -  
Background \_\_\_\_\_ White  
Border, legend, chevron & telephone \_\_\_\_\_ Black
5. The illumination of the sign must accord with the requirements of the current 'Traffic Signs Regulations and General Directions'.
6. The 'x'-heights shown are given in millimetres, all other dimensions are given in stroke widths based on the numeral 'x'-height. (i.e. 1s/w = 1/4'x'-height).
7. The sign is designed in accordance with the current design rules.
8. The order of languages may be reversed if required.
9. See sheet 2 for further variants.



Variant

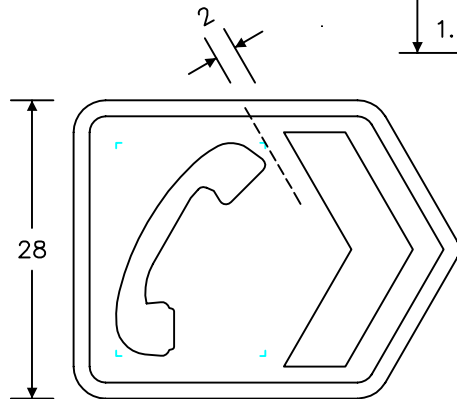
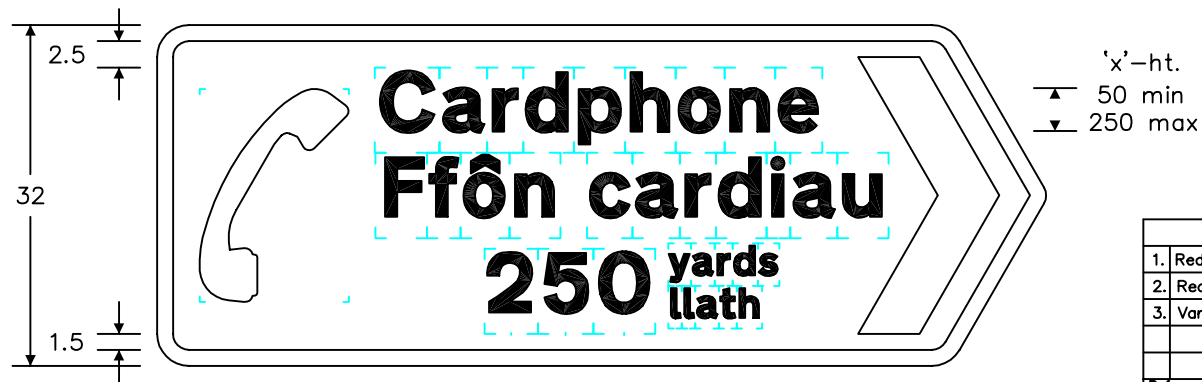
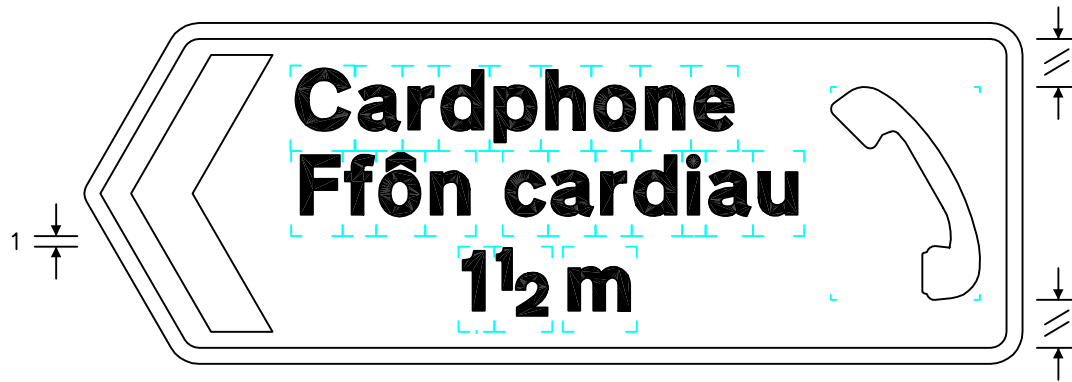


Variant

REVISIONS	
1. Redrawn & notes amended	22.8.00
2. Redrawn & notes amended	6.8.04
3. Variants added on sheet 2	8.3.06
Before using this drawing, confirm with RNM3 Division that it has not been superseded.	
Drn. A.T.I.	Appd.
Chkd.	Appl. date 29.8.97
Issue: 8.3.06	
Scale: Photo-reduced	
Title Services and Tourist Facility Signs	
DIRECTION TO A PUBLIC TELEPHONE	
WELSH ASSEMBLY GOVERNMENT	
Drwg. no.	WAG/P 2322
Sheet 1 of 2	

Notes: -

1. The legend is from the Transport Heavy alphabet at the 'x'-heights shown.
2. Details of the Telephone symbol are given on drawing S 41.
3. The outlines of the tiles do not form part of the sign.
4. The colours are as follows: -  
Background \_\_\_\_\_ White  
Border, legend, chevron & telephone \_\_\_\_\_ Black
5. The illumination of the sign must accord with the requirements of the current 'Traffic Signs Regulations and General Directions'.
6. The 'x'-heights shown are given in millimetres, all other dimensions are given in stroke widths (i.e.  $1s/w = 1/4 \times \text{'x'-height}$ ).
7. The sign is designed in accordance with the current design rules.
8. The order of languages may be reversed if required.
9. See sheet 1 for other dimensions and variants.



REVISIONS	
1. Redrawn & notes amended	22.8.00
2. Redrawn & notes amended	6.8.04
3. Variants added on sheet 2	8.3.06

Before using this drawing, confirm with RNM3 Division that it has not been superseded.

Drn. A.T.I.	Appd.
Chkd.	Appl. date 29.8.97

Issue: 8.3.06

Scale: Photo-reduced

Title  
Services and Tourist Facility Signs  
DIRECTION TO A  
PUBLIC TELEPHONE  
Variants

WELSH ASSEMBLY GOVERNMENT

Drwg. no. WAG/P 2322